

PRODUCT: BEL Kensington 110DF-AU Blk
 COLOUR: Blk
 CODE: **444448214**
 ISSUE: 1
 DATE: 11/04/2007



Key	Product	Product Description	TCO	Replace	Date	Qty
0026	082060800	BEARING door KB				2
0026	082060800	BEARING door KB				2
0032	082566100	BEZEL switch Blk				1
0037	082851706	BEZEL slow cook Sta				1
0037	082851704	BEZEL grill Sta				1
0037	082851703	BEZEL mf switch Sta				1
0037	082851702	BEZEL tstat elec fanned Sta				1
0037	082851701	BEZEL tstat elec mf Sta				1
0037	082851700	BEZEL h/p Sta				7
0057	502895700	BRACKET plinth				1
0057	502895700	BRACKET plinth				1
0813	502925501	STIFFENING STRUT				2
0813	502925501	STIFFENING STRUT				1
0083	082519304	BURNERBOWL aux (injector 0.82)				2
0835	082906000	COUNTER SUPPORT				2
0835	082906000	COUNTER SUPPORT				2
0084	082519406	BURNERBOWL s/rapid (inj 1.18)				3
0085	082519506	BURNERBOWL rapid (inj 1.42)				1
0086	082546708	BURNERBOWL wok (inj 0.72/1.38)				1
0090	082519700	BURNERCAP aux nf gls Defendi				2
0091	082519703	BURNERCAP semi nf gls Defendi				3
0092	082519706	BURNERCAP rapid nf gls Defendi				1
0094	082547000	BURNERCAP wok outer-gloss				1
0094	082546900	BURNERCAP wok inner-gloss				1
0102	082519600	BURNERSKIRT aux nf Defendi				2
0103	082519602	BURNERSKIRT semi nf Defendi				3
0104	082519604	BURNERSKIRT rapid nf Defendi				1
0105	082546800	BURNERSKIRT wok				1
0113	081718425	BUTTON timer Blk				3
0114	082566200	BUTTON switch Nic				1
0147	082533800	CATCH roller (nylon)				1
0147	082533800	CATCH roller (nylon)				1
0178	082520000	CLIP spring Defendi				7
0182	082101600	CLIP tubular				2
0182	082101600	CLIP tubular				2
0182	082101600	CLIP tubular				2
0206	531805900	COVER assy flue duct				1
0207	562895813	COVER outer plinth Bel1100 Blk				1
0207	562802005	COVER plinth inner 1100 Blk				1
0211	082291500	COVER flue vent				1
0248	562859014	DOOR oven outer lh GBlk				1
0248	562859015	DOOR oven outer rh GBlk				1
0252	562858907	DOOR panel top ov/sl cook GBlk				1
0252	562858907	DOOR panel top ov/sl cook GBlk				1
0253	601823319	DOOR grill /top oven inner				1
0253	601823319	DOOR grill /top oven inner				1
0279	082547100	ELECTRODE wok 900mm long lead				1
0281	082532602	ELECTRODE 1300mm DEL703				6

0286	082230600	ELEMENT base KB				1
0286	082354202	ELEMENT base slow cook 160w				1
0287	081561400	ELEMENT grill dual KB				1
0294	081561600	ELEMENT oven fan (2.5kw) KB				1
0294	081561600	ELEMENT oven fan (2.5kw) KB				1
0295	082010701	ELEMENT oven top KB				1
0314	082233400	FAN cooling DP203A-2123LST-C31				1
0314	082233400	FAN cooling DP203A-2123LST-C31				1
0315	082868400	FAN oven circulation				1
0315	082868400	FAN oven circulation				1
0319	012848622	FACIA assy 1100df Blk/Whi				1
0349	081830501	FOOT levelling long				2
0349	081830501	FOOT levelling long				2
0388	082825101	GENERATOR ignition DG441				1
0401	082059300	GOVERNOR 150DJ231/2"+PTP				1
0402	082554901	GRIDDLE ribbed universal				1
0411	602517700	GRILL PAN				1
0411	602517700	GRILL PAN				1
0412	082469100	GRIP handle grill pan				1
0420	082917300	GUIDE shelf small lh 1974				1
0420	082917304	GUIDE shelf large lh 1979				1
0420	082917304	GUIDE shelf large lh 1979				1
0421	082917301	GUIDE shelf small rh 1975				1
0421	082917305	GUIDE shelf large rh				1
0421	082917305	GUIDE shelf large rh				1
0424	082734301	HANDBOOK Bell Kens 110DF-AU				1
0427	082283705	HANDLE grill pan 1041				1
0428	082851800	HANDLE assy door Chr				1
0428	082851800	HANDLE assy door Chr				1
0428	082851800	HANDLE assy door Chr				1
0428	082851800	HANDLE assy door Chr				1
0455	082905900	HINGE drop down door (Zan)				2
0455	082905900	HINGE drop down door (Zan)				2
0458	082856400	HINGE bottom				1
0458	082856400	HINGE bottom				1
0459	082856401	HINGE top				1
0459	082856401	HINGE top				1
0472	502582507	HOTPLATE 1100 stainless				1
5044	082606772	BELLING BADGE BBELLING013				1
0522	012860202	KIT lp range conversion AUS				1
0525	082830202	KNOB belling range Blk				12
0544	926016900	LAMP assy oven				1
0544	926016900	LAMP assy oven				1
0557	082044000	LOCKNUT foot				2
0557	082044000	LOCKNUT foot				2
0575	082048600	NEON oven 1221.113.501.09				3
0599	012561007	DOOR assy inner panel rh				1
0599	012561006	DOOR assy inner panel				1
0614	082843600	PAN SUPPORT Bel 2 burner std.				3
0615	082843601	PAN SUPPORT Bel wok				1
0697	562044129	PLINTH front Blk				1
0697	562044129	PLINTH front Blk				1
0705	082590900	REGULATOR energy MPA-V02SV				1
0728	080215764	WASHER fibre 11/64" dia				2
0728	080180676	SCREW m6x30 pp mc				2

0728	080180676	SCREW m6x30 pp mc				2
0728	080215764	WASHER fibre 11/64" dia				2
0728	080180676	SCREW m6x30 pp mc				2
0728	080180676	SCREW m6x30 pp mc				2
0733	081797201	SEAL grill KB				1.3
0733	081797201	SEAL grill KB				1
0734	082501400	SEAL oven 50m roll				1.5
0734	082501400	SEAL oven 50m roll				0.3
0734	082501400	SEAL oven 50m roll				1.5
0736	081423974	SEAL tap 4mm COPRECI F3862-04				7
0749	082917403	SHELF main oven 452 wide 1970				2
0749	082917403	SHELF main oven 452 wide 1970				1
0749	082917403	SHELF main oven 452 wide 1970				2
0791	082554300	SPACER oven fan				3
0791	082554300	SPACER oven fan				3
0791	082554300	SPACER oven fan				2
0806	081511001	SPRING COMPRESSION CONTROL BZ				12
0823	082494402	STRIKER door (silver)				1
0823	082494402	STRIKER door (silver)				1
0876	082859800	SWITCH s/cook war 42.08000.008				1
0876	082558101	SWITCH rotary oven42.02400.008				2
0876	082578200	SWITCH door ROLD				1
0877	082859700	SWITCH sel 7 func 42.08000.041				1
0878	081811101	SWITCH ignition E2009				1
0880	081545403	SWITCH thermal cut-out 150c				2
0880	082808901	SWITCH thermal L100c				1
0882	082808902	SWITCH thermal fan				1
0887	082856508	TAP h/p wok NG blk/grn(Aust)				1
0888	082856506	TAP h/p s/rap NG blk/whi(Aust)				3
0889	082856505	TAP h/p aux NG b/k/red(Aust)				2
0890	082856507	TAP h/p rapid NG blk/blu(Aust)				1
0912	082558001	THERMOSTAT EGO 55.17069.090				2
0917	082874000	TIMER (programmer 900)				1
0922	562586711	TRIM hotplate side 1100 Blk				2
0945	562851911	VENT TRIM 1100 Blk				1
0950	562867306	FACIA lip 110 Blk				1
0967	082518800	WIRE TRIVET grill pan				1
0991	030116310	WHEEL ASSY				1
0991	030116310	WHEEL ASSY				1



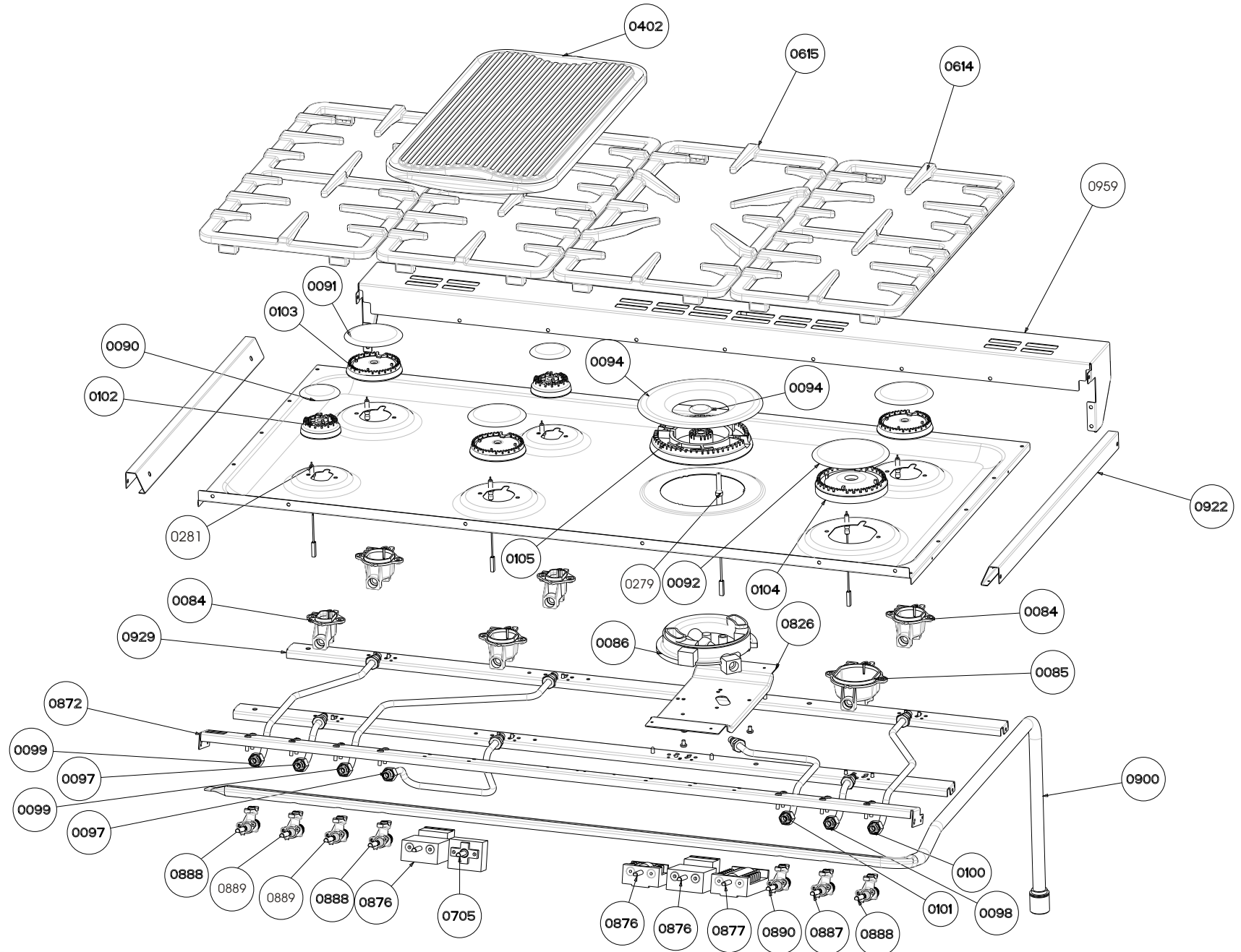
BELLING 110DF-AU

ISSUE DATE 11-04-07

DUAL FUEL

RANGE

HOTPLATE ASSEMBLY

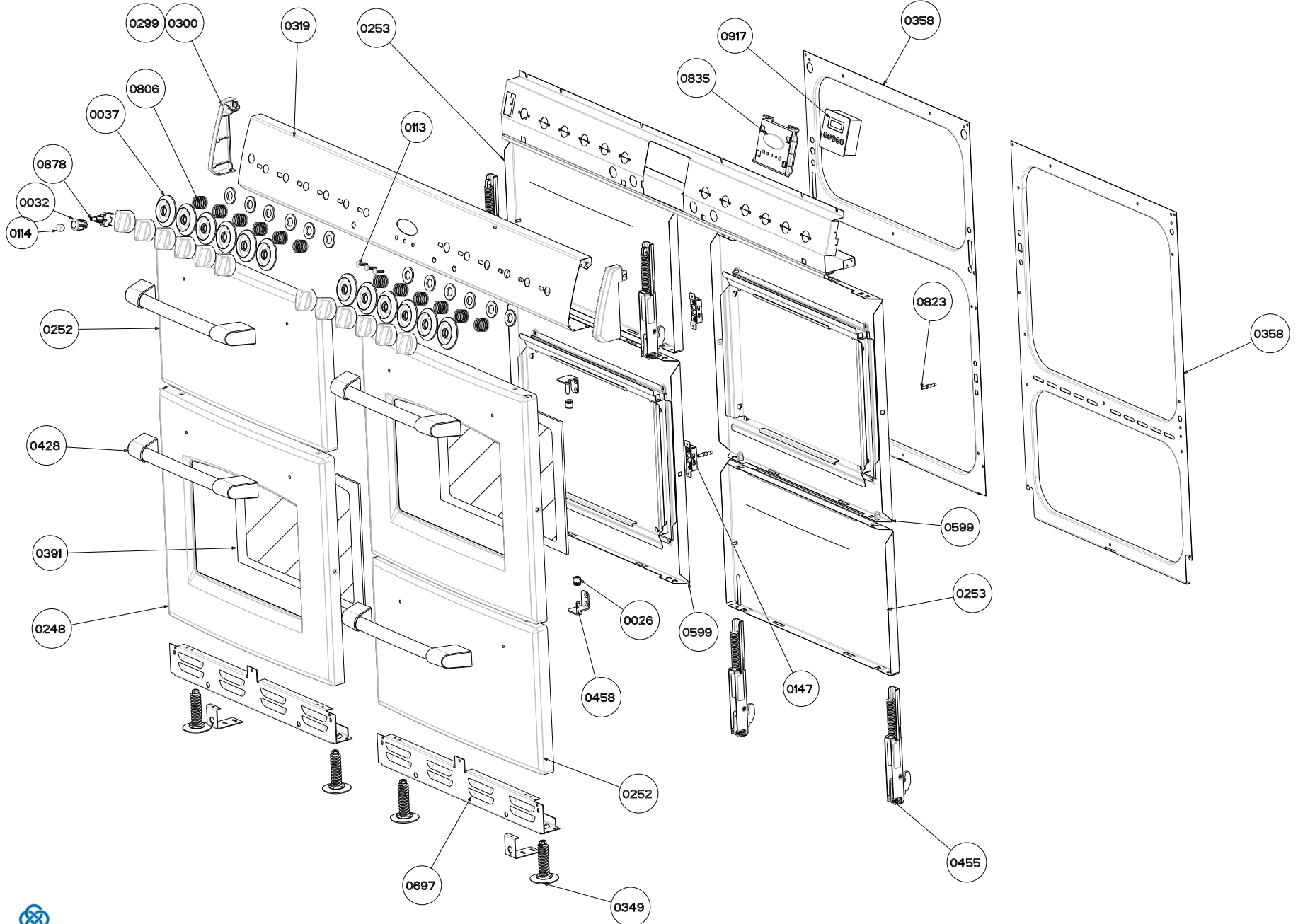


© This diagram is the property of GLEN DIMPLEX HOME APPLIANCES Not to be reproduced or transmitted in any shape or form without permission of GLEN DIMPLEX HOME APPLIANCES.



110DF-AU ISSUE DATE 11-04-07

DOORS, FASCIA, AND FRONT FRAME ASSEMBLY



© This diagram is the property of GLEN DIMPLEX HOME APPLIANCES Not to be reproduced or transmitted in any shape or form without permission of GLEN DIMPLEX HOME APPLIANCES.

CAVITY ASSEMBLY

